

DHI-VTH1023J

2-wire Hybrid Indoor Monitor



EACH

Technical Specification

System

Main Processor	Embedded Processor
Operating System	Embedded Linux operating system
Button Type	Touch button

Basic

Screen Type	Non-touchscreen
Display Screen	7.0" TFT
Screen Resolution	1024 (H) × 600 (V)
Audio Input	1 channel
Audio Output	Built-in speaker
Audio Mode	Two-way audio (half-duplex)

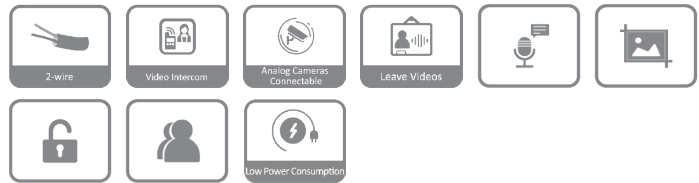
Function

Communication Mode	Analog
Leave Videos	Yes (SD card inserted in VTH is needed)
DND Mode	Do not disturb mode can be set
Number of Extensions	2
Storage	Supports Micro SD card storage, up to 64 GB

Performance

Casing Material	PC + ABS
-----------------	----------

- High-definition user interface.
- Supports 2-wire communication.
- Features sleep mode and the quick wake-up function.
- Video and audio messages can be left for unanswered calls, and you can take snapshots (an SD card is required).
- Supports configuring the main and sub indoor monitor and receiving group calls from the door station.
- Performs preview and unlock with one click.



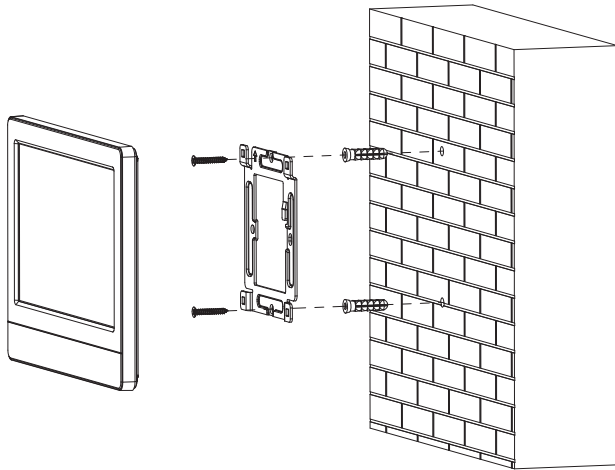
General

Appearance Color	White
Power Supply	The power is provided by the distributor.
Installation	Surface Mount
Certifications	CE
Accessory	Includes: Power cord and bracket
Product Dimensions	133.9 mm × 182.7 mm × 20.7 mm (5.27" × 7.19" × 0.82")
Operating Temperature	-10 °C to +55 °C (+14 °F to +131 °F)
Operating Humidity	10%–95% (RH)
Operating Altitude	0 m–3000 m (0 ft–9842.52 ft)
Power Consumption	≤1 W (standby), ≤6.3 W (working)
Gross Weight	513.5 g (1.13 lb)
Storage Temperature	0 °C to +40 °C (+32 °F to +104 °F)
Storage Humidity	30%–75%
Operating Environment	Indoor

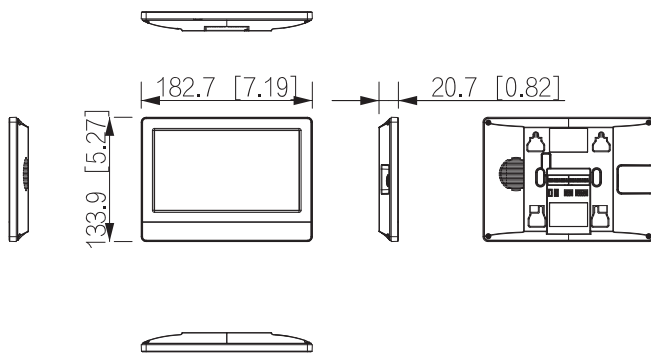
Ordering Information

Type	Model	Description
VTH	DHI-VTH1023J	2-wire Analog Indoor Monitor

Installation



Dimensions (mm[inch])



Application

