



24” IPS technology panel with 100Hz refresh rate and 150mm height adjustable stand

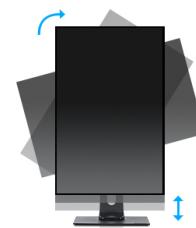
The stylish edge-to-edge design makes the ProLite XUB2491H perfect for multi-monitor setups. The IPS panel technology ensures accurate and consistent color reproduction with wide viewing angles, while the 100Hz refresh rate enhances image smoothness. High contrast and brightness levels make this monitor ideal for photographic and web design work. It is equipped with a headphone socket, HDMI and DisplayPort connections, and features a blue light reducer function to minimize eye fatigue. Additionally, the ergonomic 150mm height-adjustable stand offers optimal user comfort, making this 24” monitor an excellent choice for both multi-monitor configurations and office applications.

Available also with fixed stand : [ProLite XU2491H-B1](#)



IPS Technology

IPS technology offers higher contrast, darker blacks and much better viewing angles than standard TN technology. The screen will look good no matter what angle you look at it.



HAS (150mm) + PIVOT

With a height adjustable stand you will create an ergonomic work posture and position that meets all health and safety requirements. This will not only prevent any health issues but will also increase your productivity. The pivot function allows the screen to rotate from landscape to portrait orientation. This functionality can be useful if the application requires more height than width.

01 DISPLAY CHARACTERISTICS

Design	3-side borderless
Diagonal	23.8"
Panel	IPS panel technology LED, matte finish
Native resolution	1920 x 1080 @100Hz (2.1 megapixel Full HD)
Aspect ratio	16:9
Panel brightness	300 cd/m ²
Static contrast	1300:1
Advanced contrast	80M:1
Response time (MPRT)	0.5ms
Viewing zone	horizontal/vertical: horizontal°/vertical 178°, right/left: 0°/0°, up/down: 0°/0°
Colour support	16.7mIn (sRGB: 96%; NTSC: 72%)
Horizontal Sync	30 - 150kHz
Viewable area W x H	527 x 296.5mm, 20.7 x 11.7"
Pixel pitch	0.275mm
Colour	matte, black (matte, black)

02 INTERFACES / CONNECTORS / CONTROLS

Signal input	HDMI x1 DisplayPort x1
HDCP	yes
Headphone connector	yes

03 FEATURES

Blue light reducer	yes
Flicker free	yes
Adaptive Sync support	yes
Extra	i-style Colour
OSD languages	EN, DE, FR, IT, RU, JP, CZ, NL, PL
Control buttons	Power, Menu, Up/Volume, Down/Eco, Input/Exit
User controls	picture adjust (brightness, contrast, i-Style colour, ACR, Eco, OD, X-Res Technology), colour settings (gamma, RGB range, colour temp), image settings (video mode adjust, blue light reducer, sharp and soft, MBR, Adaptive Sync), OSD (OSD H. position, OSD V. position, OSD Time, OSD background, OSD rotate, language, display information) extra (reset, DDC/CI, signal select, LED, opening logo)
Convenience	Kensington-lock™ prepared, DDC/CI, DDC2B, Mac OSX

04 MECHANICAL

Display position adjustments	height, swivel, tilt, pivot (rotation both sides)
Height adjustment	150mm
Rotation (PIVOT function)	90°
Swivel stand	120°; ° left; 60° right
Tilt angle	23° up; 5° down
VESA mounting	100 x 100mm
Cable management system	yes

05 ACCESSORIES INCLUDED

Cables	power, HDMI
Other	quick start guide, safety guide

06 POWER MANAGEMENT

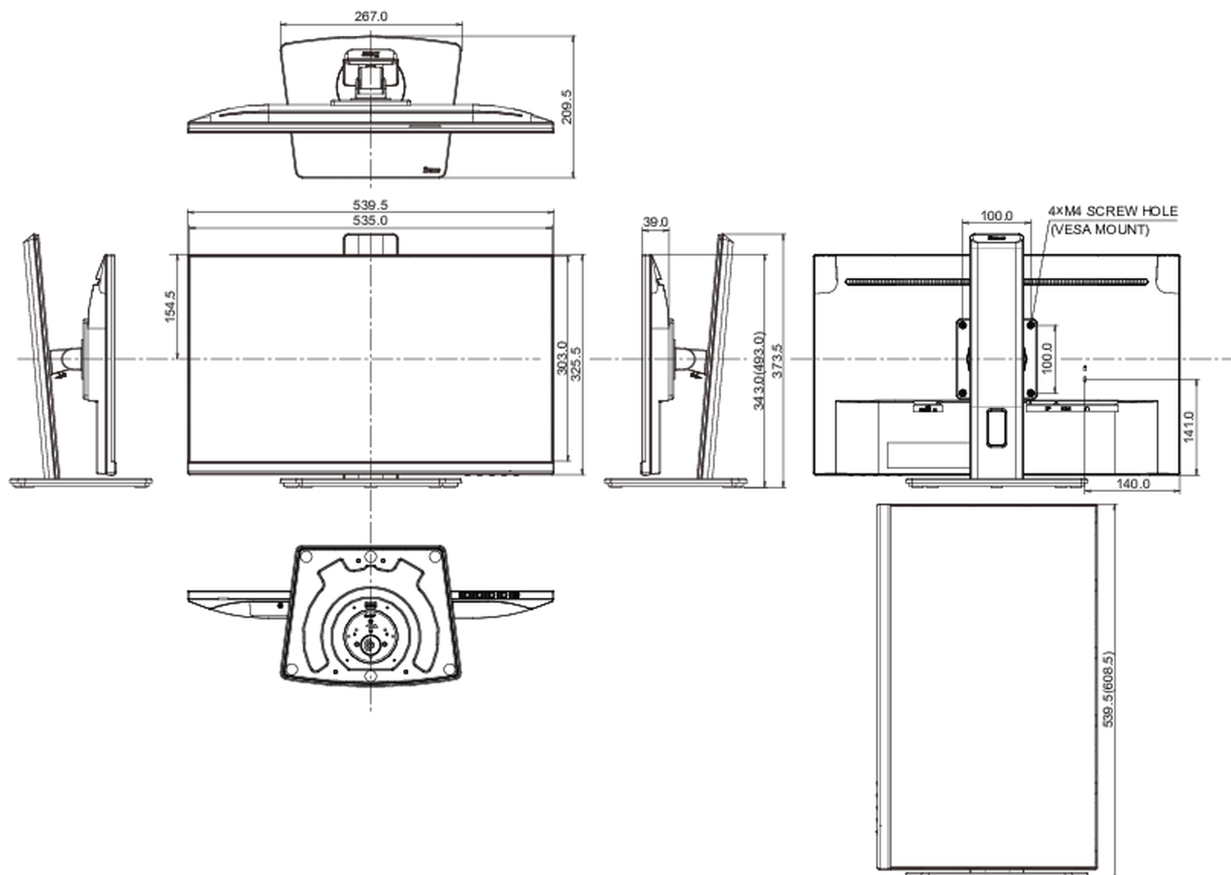
Power supply unit	internal
Power supply	AC AC - 100V, 240/V, 50Hz
Power usage	16W typical, 0.5W stand by, 0.3W off mode

07 SUSTAINABILITY

Regulations	TCO Certified, CE, TÜV-Bauart, EAC, VCCI-B, PSE, RoHS support, ErP, WEEE, REACH, UKCA
Energy efficiency class (Regulation (EU) 2017/1369)	E
REACH SVHC	above 0.1%: Lead

08 DIMENSIONS / WEIGHT

Product dimensions W x H x D	539.5 x 343 (493) x 209,5mm
Box dimensions W x H x D	640 x 390 x 145mm
Weight (without box)	5.1kg
Weight (with box)	6.4kg
EAN code	4948570124763



All trademarks and registered trademarks acknowledged. E & O E. Specification subject to change without notice. All LCD's comply with ISO-9241-307:2008 in connection with pixel defects.

© IYAMA CORPORATION. ALL RIGHTS RESERVED